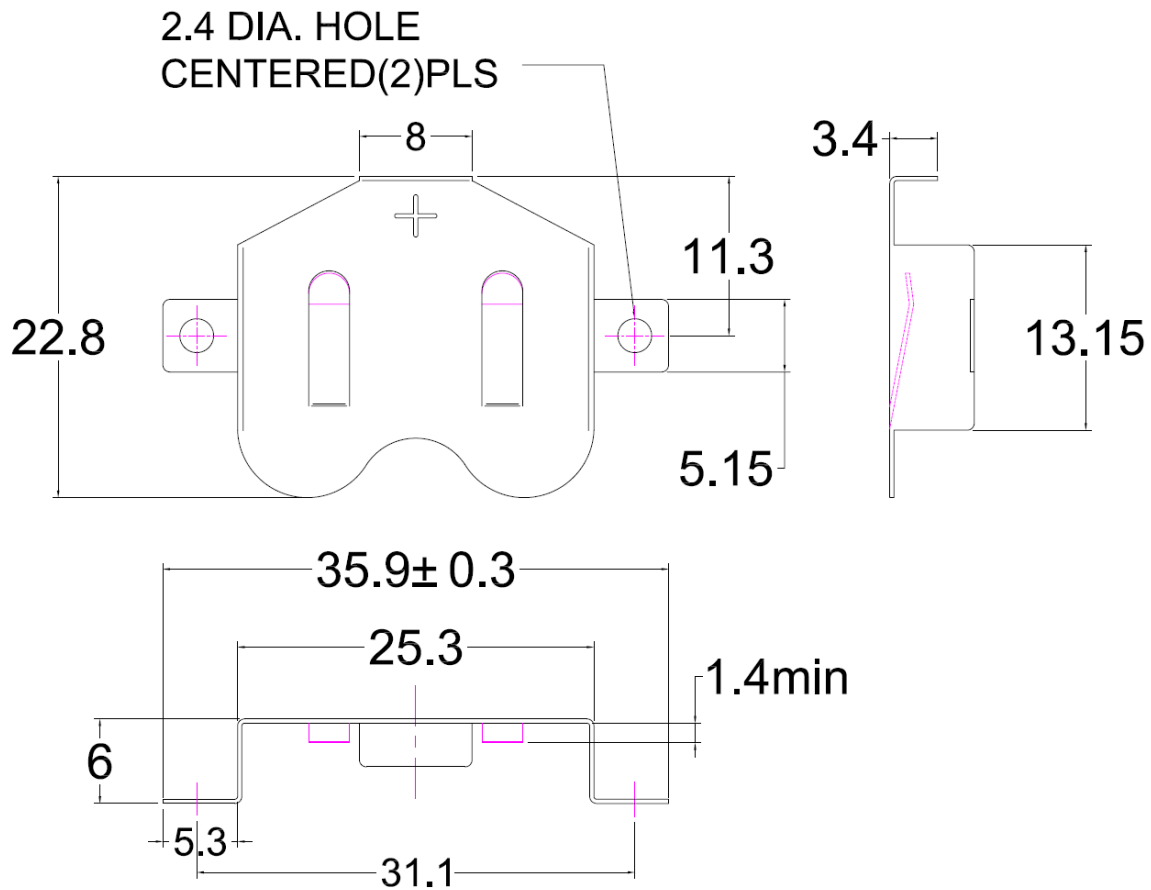
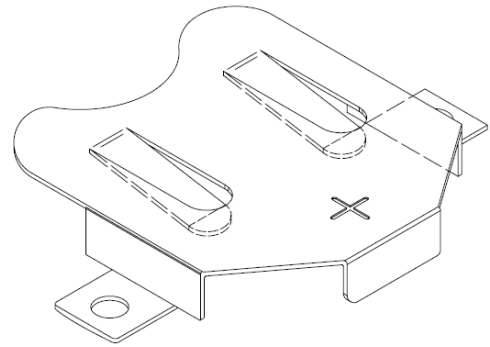
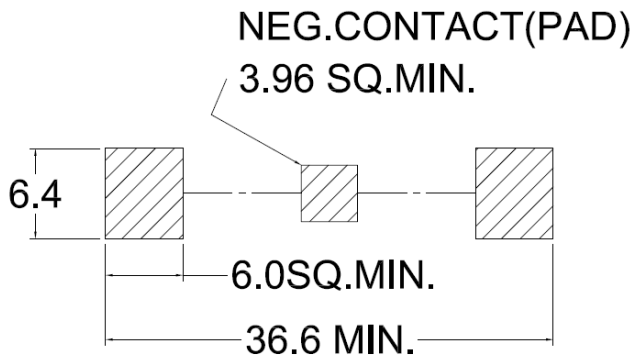


MOUNTING PAD LAYOUT



MAT'L:0.3MM TH'K BRASS
FINISH:NICKEL PLATE



銓基電子股份有限公司
ROKI ELECTRONICS CO., LTD.

PART NAME : BATTERY HOLDER

SCALE :

PART NO : CR-2450M

UNIT : mm

TOLERANCE : mm



VER : R01